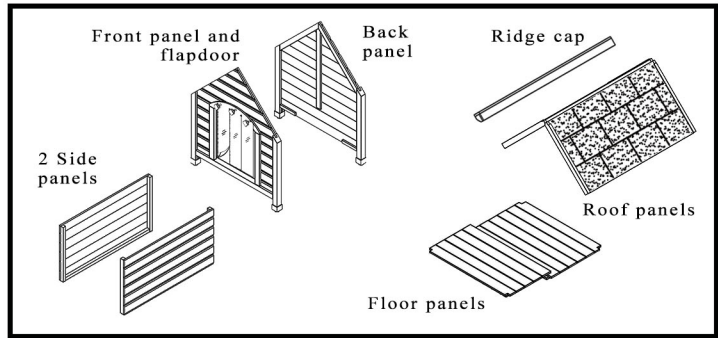
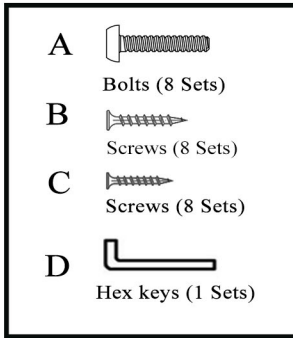
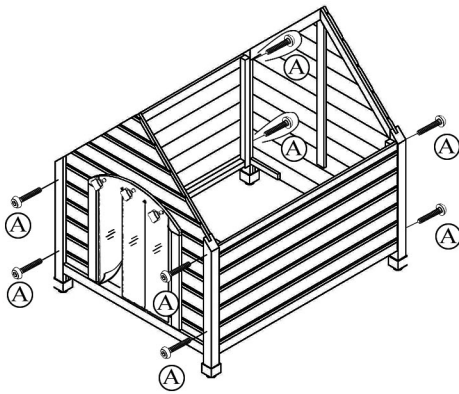


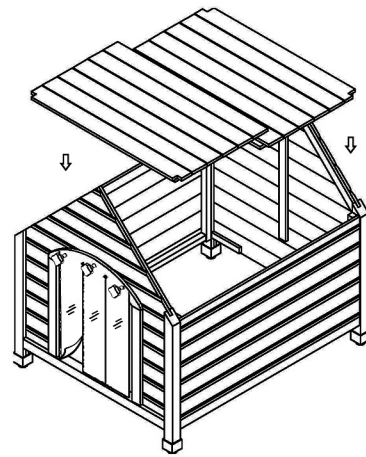
# DOG HOUSE ASSEMBLY INSTRUCTIONS



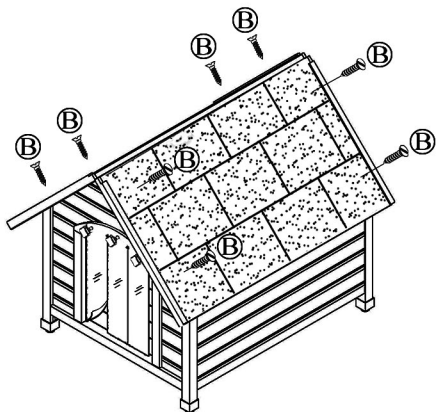
## Simple Set-Up



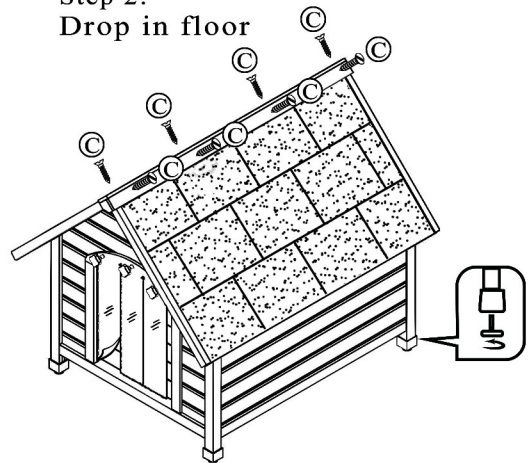
Step 1:  
Secure side panels with bolts



Step 2:  
Drop in floor



Step 3:  
Attach roofs and secure with screws



Step 4:  
Secure ridge cap on to roof with screws